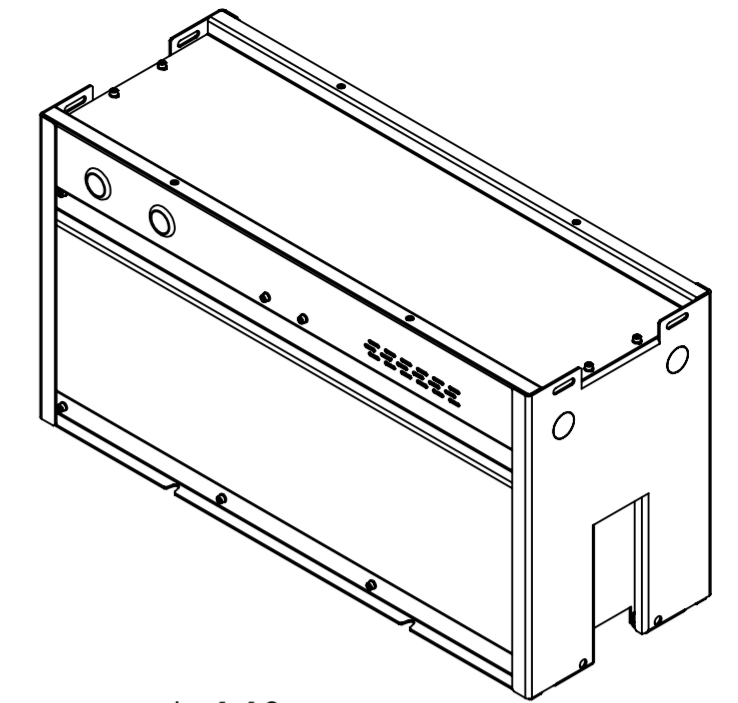
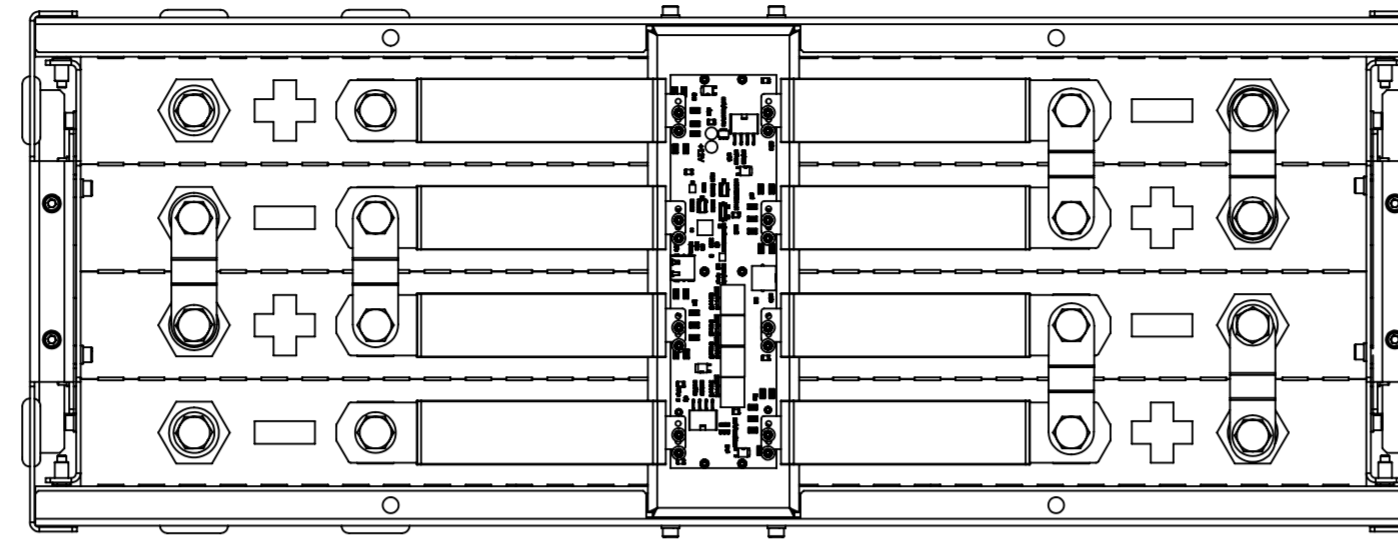
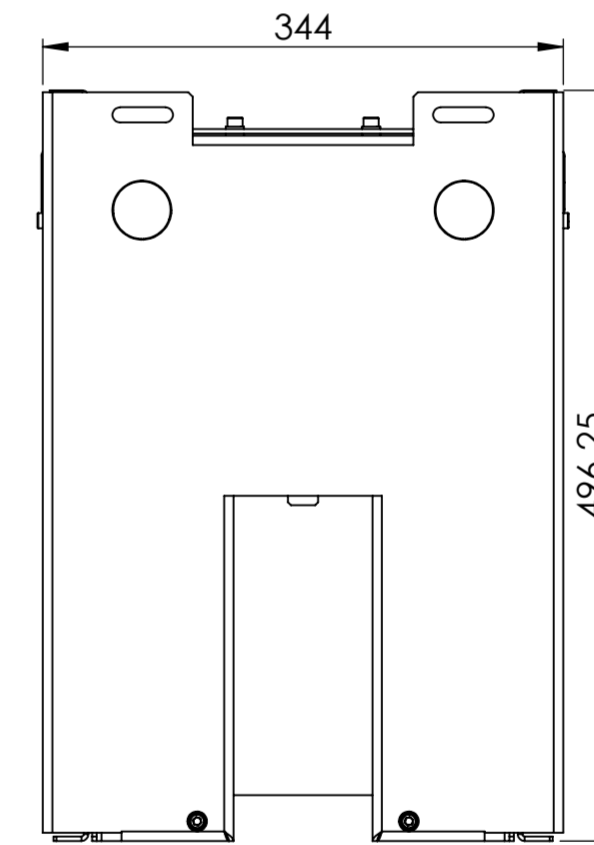
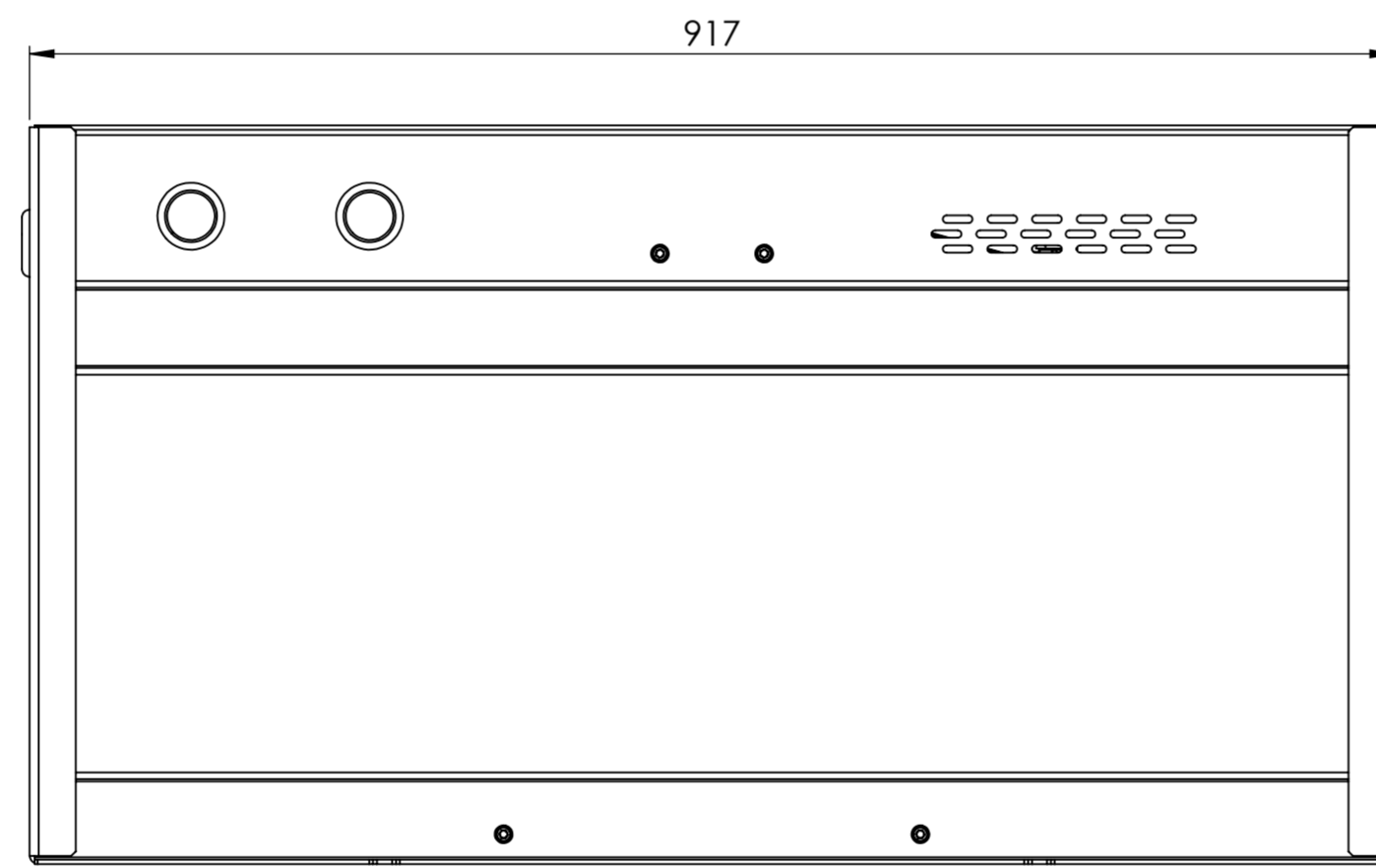
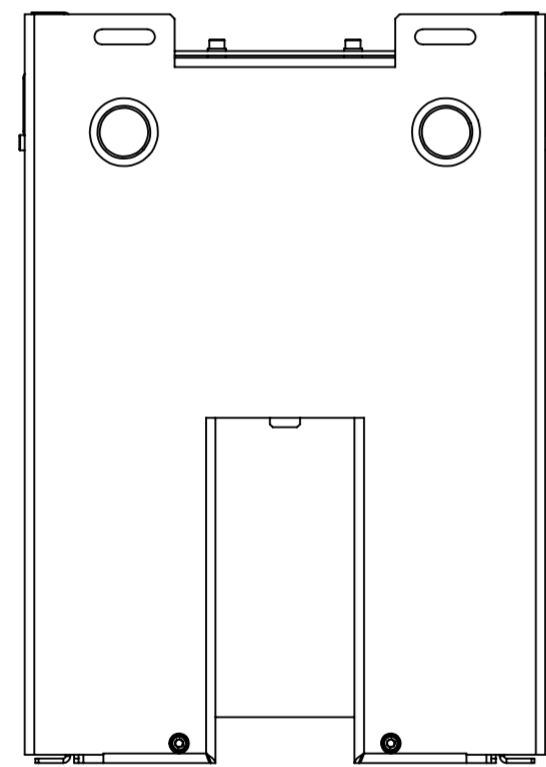



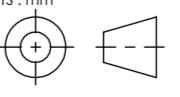
scale 1:5

20	2	Alarm Cable Assembly	6014A131429	NOT_REQUIRED
19	6	Hi Power Cells Busbar	6014P131159	NOT_REQUIRED
18	15	Washer M14 ISO 7089	Washer M14 ISO 7089	50211420
17	8	Spring lock washer DIN 6905 - 11	M14 Springwasher	50211458
16	16	ISO 4014 - M14 x 20-N	ISO 4014 - M14 x 20-N	50211719
15	16	Hexagon socket head cap screw ISO 4762 - M3 x 10	socket head cap screw 4762_din	50211239
14	16	plain washer 7349 heavy_din	plain washer 7349 heavy_din	50211421
13	16	Spring lock washer DIN 6905 - 2.7	spring lock washer 2_din	NOT_REQUIRED
12	8	Laminated Bushbar 1000 Ah	6014A131399	40290132
11	6	Doorvoertule 38 x 32 x 2	50209042 Doorvoertule 38 x 32 x 2	50209042
10	1	Top Cover-1000 Ah	6014P131369	40290137
9	2	1000 Ah Endcover	6014A131365	40290143
8	1	PCB + Support Assy-1000 Ah	6014A131360	40290131
7	1	1000 Ah-Backside panel	6014P131364	40290136
6	1	Winston Batteries 1000 Ah-Frontside panel	6014P131363	40290135
5	32	Binnenzesk bout A2 M6 x 25	50211206 Binnenzesk bout A2 M6 x 25	50211206
4	32	ONDERLEGRING VZ M6	50211404 ONDERLEGRING VZ M6	50211404
3	2	Endpanel 1000 Ah	6014A131358	40290138
2	4	ION Power 3.2V/1000Ah	Winston battery-1000 Ah	40290056
1	1	Bottom Assy -1000 Ah	6014A131356	40290130
ITEM NO.	QTY.	DESCRIPTION	DRAWING	ARTICLE No.
UNLESS OTHERWISE SPECIFIED:		TOLERANCE PRINCIPLE ISO 8015	FINISH:	DO NOT SCALE DRAWING
CHAMFER SHARP EDGES		PROJECTION : THIRD ANGLE	Material:	SHEET FORMAT: A2
GENERAL TOLERANCE NEN ISO 2768		UNITS : mm		
FORM AND PLACE TOLERANCES NEN-ISO 1101			TITLE: 1000 Ah Cabinet	ARTICLE NO. 40290056
WELDING SYMBOL NEN EN 22553				
ROUGHNESS ACC. to NEN3634		STATUS: Design Review		REVISION
DRAWN	M.B.	DRAWING: 6014A131355		ARTICLE NO. 40290056
CHKD	J.K.	Weight: 152673.31 gram		REVISION
PRINTED		SCALE:1:5		SHEET 1 OF 2



scale 1:10



UNLESS OTHERWISE SPECIFIED: CHAMFER SHARP EDGES GENERAL TOLERANCE NEN-ISO 2768 FORM AND PLACE TOLERANCES NEN-ISO 1101 WELDING SYMBOL NEN EN 22553 ROUGHNESS ACC. to NEN3634			TOLERANCE PRINCIPLE ISO 8015		FINISH: Material:	DO NOT SCALE DRAWING	
PROJECTION : THIRD ANGLE UNITS : mm					SHEET FORMAT: A2	TITLE: 1000 Ah Cabinet	
DRAWN	M.B.	DATE	19-10-2012	STATUS: Design Review		ARTICLE NO. 40290056	REVISION
CHKD	J.K.	DATE	13-5-2013	DRAWING: 6014A131355		SCALE:1:5	
PRINTED		DATE	11-12-2013	Weight: 152673.31 gram		SHEET 2 OF 2	