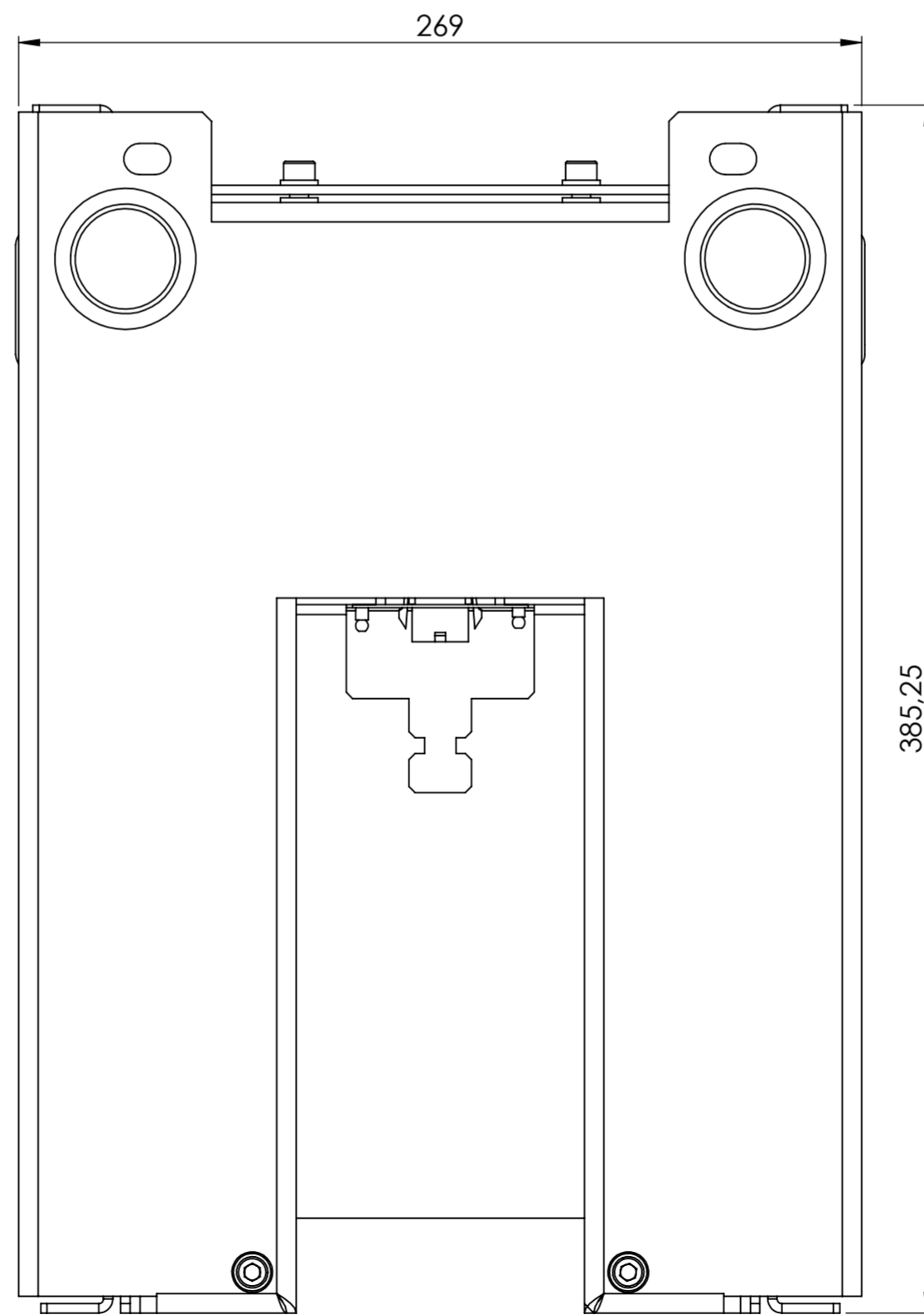
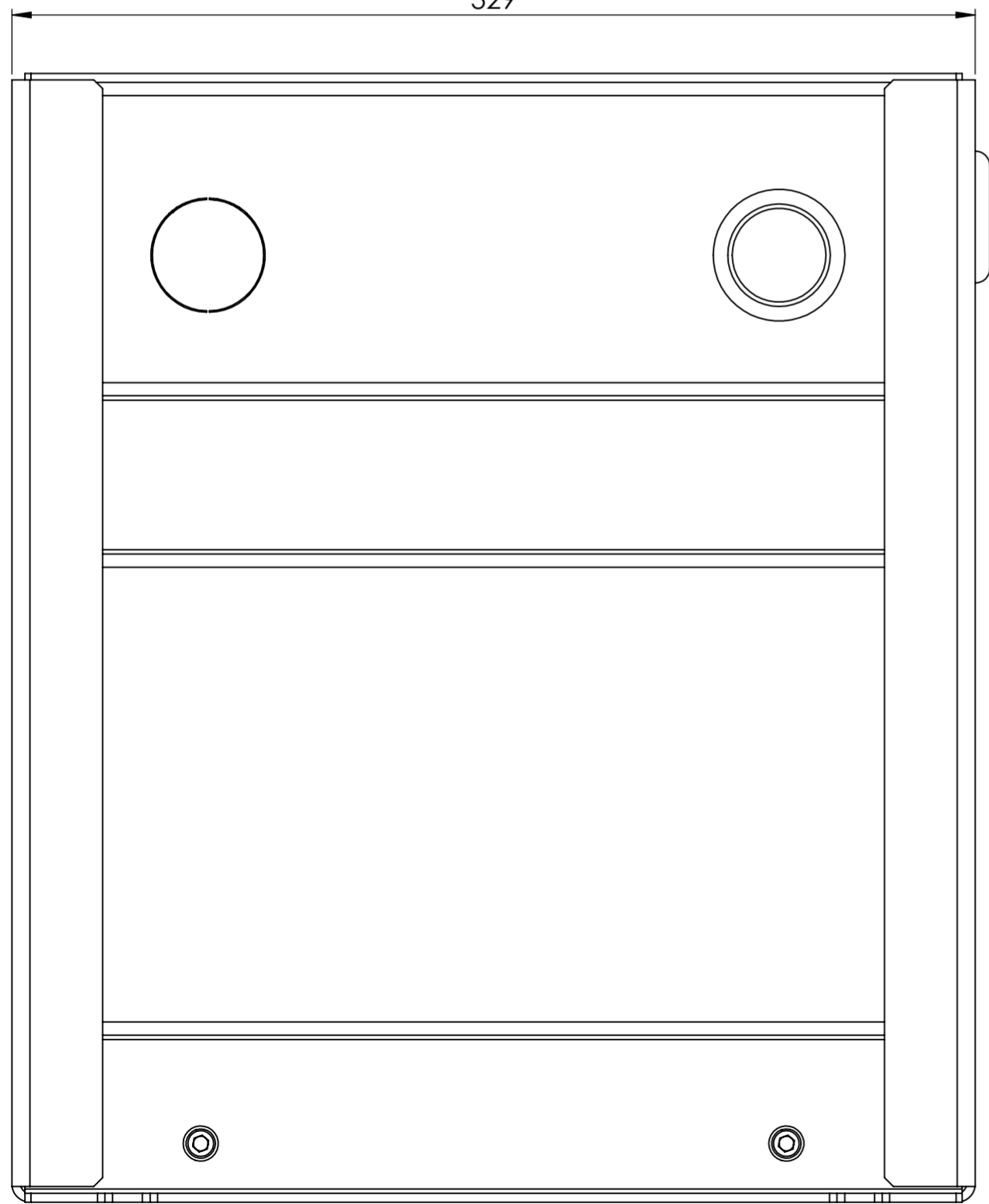


+ Pole

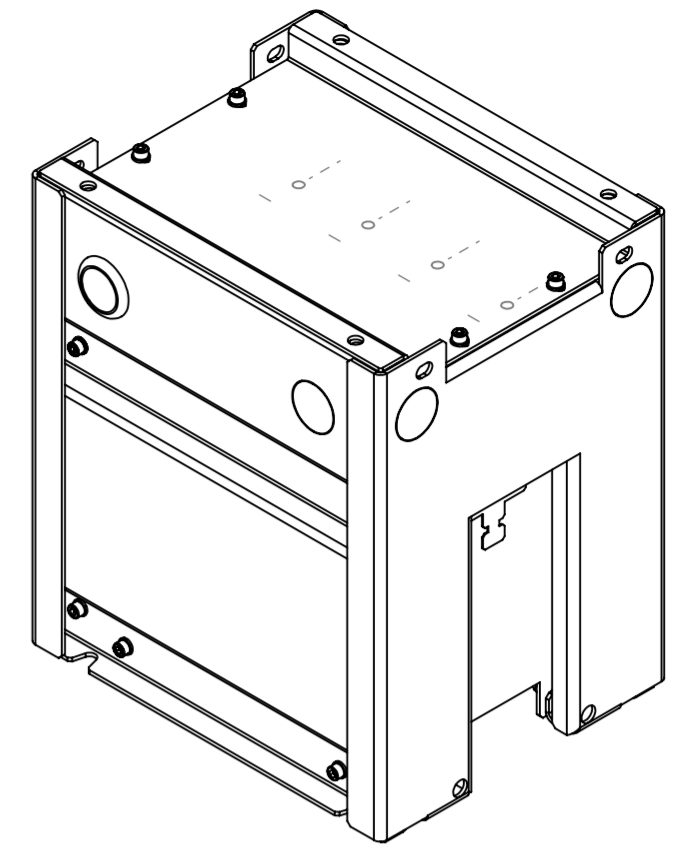
- Pole

329


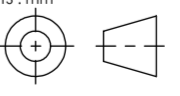


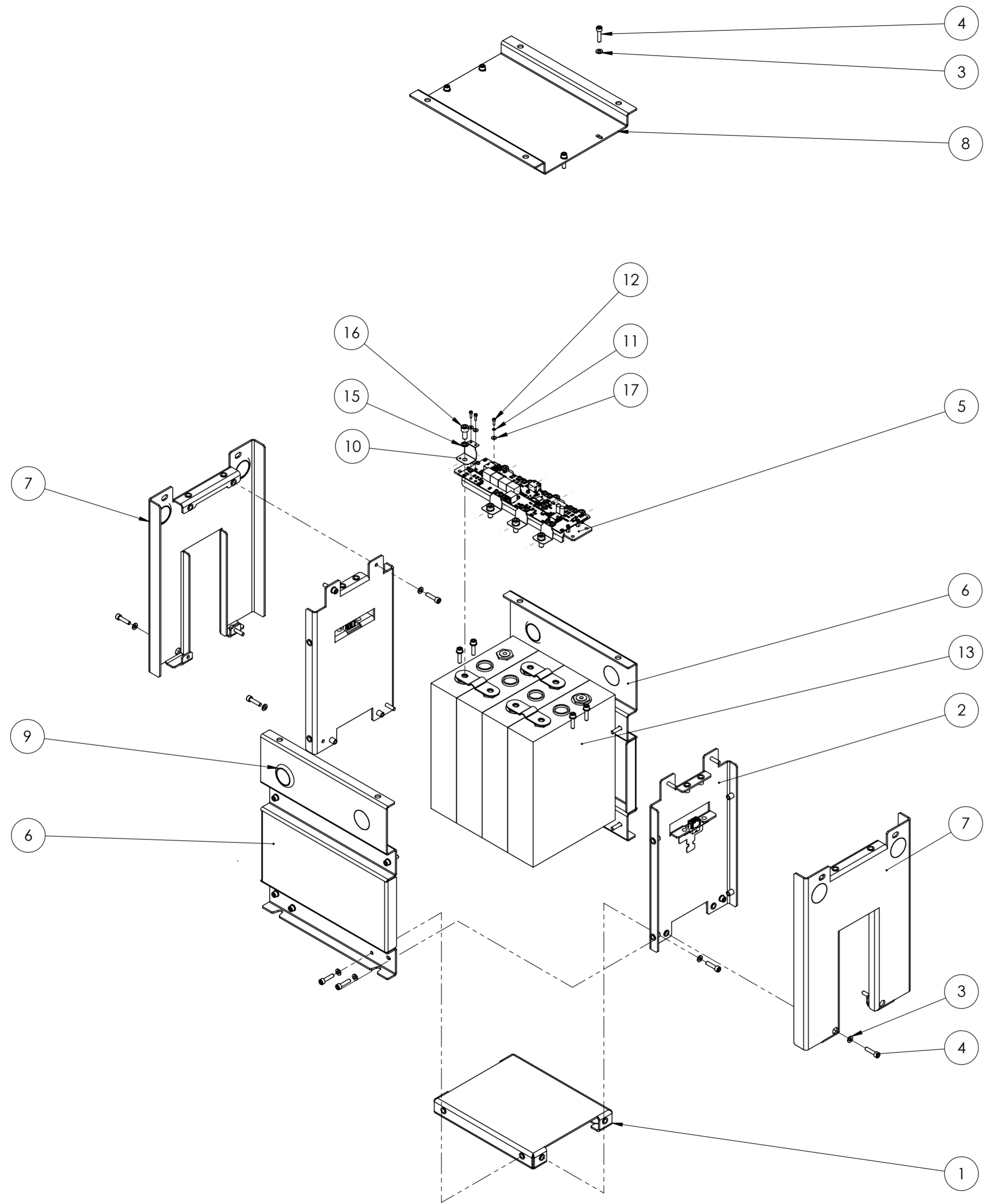
269

385.25




scale 1:5

UNLESS OTHERWISE SPECIFIED: CHAMFER SHARP EDGES GENERAL TOLERANCE NEN ISO 2768 FORM AND PLACE TOLERANCES NEN-ISO 1101 WELDING SYMBOL NEN EN 22553 ROUGHNESS ACC. to NEN3634				TOLERANCE PRINCIPLE ISO 8015		FINISH:  Material:		DO NOT SCALE DRAWING		
PROJECTION : THIRD ANGLE UNITS : mm						SHEET FORMAT: <b>A2</b>		TITLE: <b>160 Ah Battery Cabinet</b>		
DRAWN M.B.		SIGNATURE		DATE 19-10-2012		STATUS: <b>Released</b>		ARTICLE NO. <b>40290202</b>		REVISION
CHKD M.F.				16-10-2013		DRAWING: 6014A131319		SCALE:1:2		SHEET 1 OF 2
PRINTED				16-10-2013		Weight: gram				



17	16	plain washer 7349 heavy_din	plain washer 7349 heavy_din	50211421
16	8	Binnenzesk M8x18	50211231 Binnenzesk M8x18	50211231
15	8	Veerring VZ M8	50211445 Veerring VZ M8	50211445
14	3	Hi Power Cells Busbar	6014P131159	NOT_REQUIRED
13	4	ThunderSky LYP-160AHA	6014P131300	NOT_REQUIRED
12	16	Hexagon socket head cap screw ISO 4762 - M3 x 10	socket head cap screw 4762_din	50211239
11	2	Spring lock washer DIN 6905 - 2.7	spring lock washer 2_din	NOT_REQUIRED
10	8	Bushbar Thundersky 160 Ah	6014P131321	40290183
9	4	Doorvoertule 38 x 32 x 2	50209042 Doorvoertule 38 x 32 x 2	50209042
8	1	Thundersky Top Cover-160 Ah	6014P131316	40290280
7	2	Thundersky Endcover Assy-Left Version-160 Ah	6014A131305	40290281
6	2	Thundersky Accu-cel-160 Ah-Side panel	6014P131317	40290282
5	1	Thundersky PCB + Support Assy-160 Ah	6014A131301	NOT_REQUIRED
4	34	Binnenzesk bout A2 M6 x 25	50211206 Binnenzesk bout A2 M6 x 25	50211206
3	34	ONDERLEGRING VZ M6	50211404 ONDERLEGRING VZ M6	50211404
2	2	Thundersky Endpanel-assy-160 Ah	6014A131307	NOT_REQUIRED
1	1	Thundersky Cabinet-Bottom-Assy-160 Ah	6014A131314	40290285

UNLESS OTHERWISE SPECIFIED: CHAMFER SHARP EDGES GENERAL TOLERANCE NEN ISO 2768 FORM AND PLACE TOLERANCES NEN-ISO 1101 WELDING SYMBOL NEN EN 22553 ROUGHNESS ACC. to NEN3634		TOLERANCE PRINCIPLE ISO 8015 PROJECTION : THIRD ANGLE UNITS : mm	FINISH: Material:	DO NOT SCALE DRAWING SHEET FORMAT: <b>A2</b>	
TITLE: <b>160 Ah Battery Cabinet</b>		STATUS: <b>Released</b> DRAWING: <b>6014A131319</b> Weight: gram		ARTICLE NO. <b>40290202</b>	
DRAWN M.B.	SIGNATURE	DATE 19-10-2012			
CHKD M.F.		16-10-2013			
PRINTED		16-10-2013			