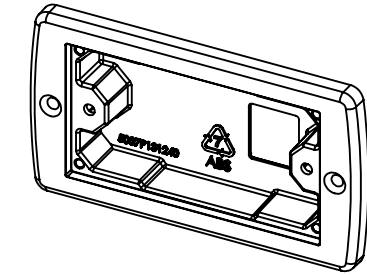
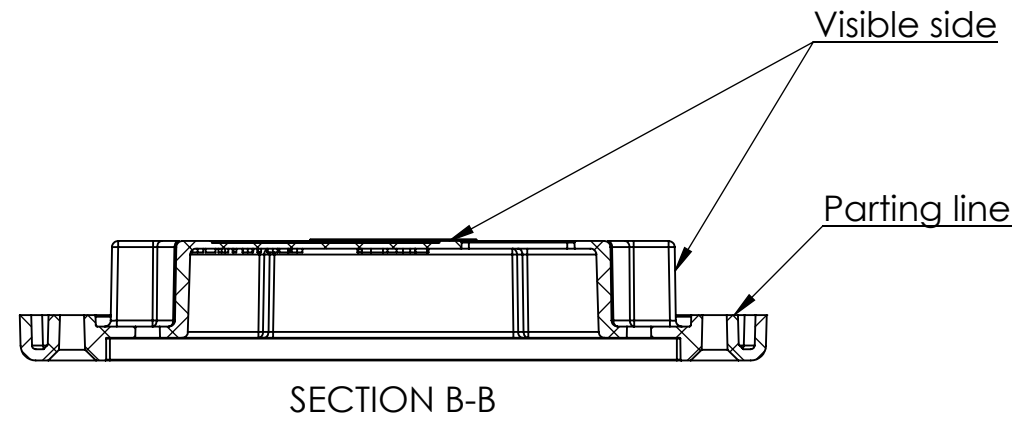
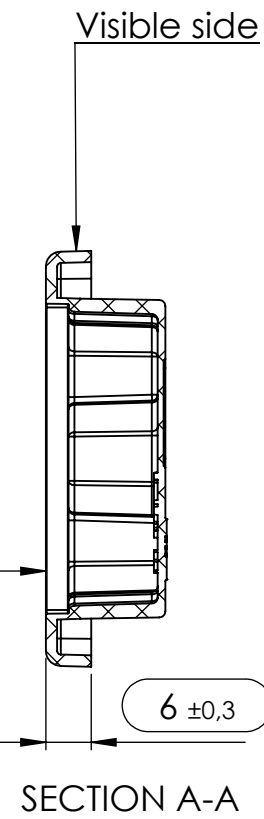
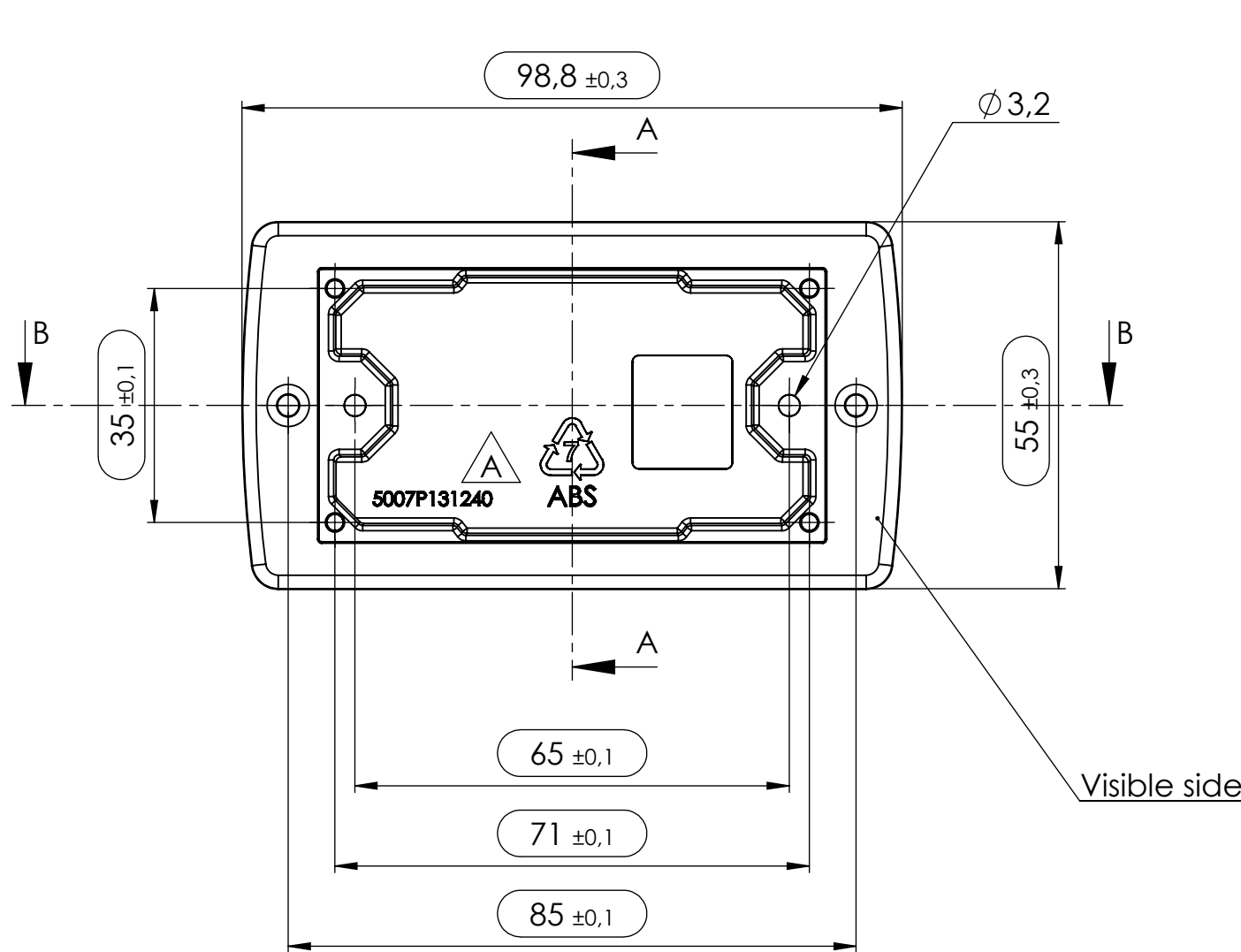


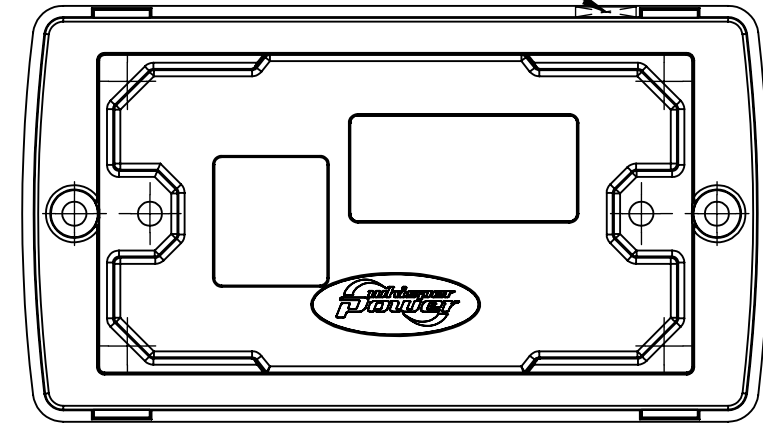
REV.	DESCRIPTION	DATE	REV. BY
A	Changed position text in model	10-7-2013	M.B.



Scale:1:2



Injection point



Surface texture (Visible Side): CHUANYI 586

UNLESS OTHERWISE SPECIFIED: CHAMFER SHARP EDGES GENERAL TOLERANCE NEN ISO 2768-f FORM AND PLACE TOLERANCES NEN-ISO 1101 WELDING SYMBOL NEN EN 22553 ROUGHNESS ACC. to NEN3634		TOLERANCE PRINCIPLE ISO 8015	FINISH: PANTONE 447C	DO NOT SCALE DRAWING	
PROJECTION : THIRD ANGLE UNITS : mm		Material: ABS	SHEET FORMAT: A3	TITLE: Remote panel enclosure	
NAME	SIGNATURE	DATE	STATUS:	ARTICLE NO.	
DRAWN M.B.		6-12-2011	Released	REVISION	
CHK'D P.C.		10-7-2013		NOT_REQUIRED	
PRINTED		10-7-2013	DRAWING: 5007P131240	SCALE:1:1	SHEET 1 OF 1
Weight: 13.53 gram					

Dimensions 3d model in the step file