



USER MANUAL

WP-ACP

Whisper Power AC PowerCube 24/7000 Sine wave inverter



High power from your battery !
Professional standalone
true sine wave inverter



- Redundant heavy duty backup power system
- Light weight 7 kW sine wave inverter due to modern switch mode concept
- High surge power over 200 %, allowing for inductive loads to start up smoothly
- Multiple DC connections allow standard battery cables
- Energy saving by 90 % system efficiency (peak)
- Compatible with WhisperPower DC PowerCube system



Thank you for purchasing the WP-ACP WhisperPower AC PowerCube Sinewave inverter.
The WP-ACP allows you to produce 230V AC 'grid' voltage power from a battery.
The WP-ACP actually consists of two (DC/DC) converters and a (DC/AC) inverter, all combined in one unit. The converters convert low battery voltages into high DC voltage; the inverter inverts the high DC voltage into a single phase sine wave AC ('grid') voltage.

Table of contents

1. Introduction
2. Instructions for use
3. Troubleshooting
4. Installation
5. Warranty terms and conditions
6. Specifications
7. Conformity declaration

1. Introduction

Use of this manual

This manual serves as a guideline for safe and effective installation of the WP-ACP, as well as correct operation and, if necessary, troubleshooting.

It is recommended to keep the manual in good condition for future use. It should be kept in a dry and clean place, and available any time.

General precautions

To ensure safe and sustainable operation of the WP-ACP, it is obligatory that handling and safety instructions detailed in this manual are followed at all times. Every person working on or with the WP-ACP should be familiar with the contents of this document. Also bear in mind that all applicable (safety) standards and (local) regulations need to be followed at any time.

Furthermore, only allow changes in your electrical system to be carried out by qualified electricians.

IMPORTANT !

Throughout this manual, the following alert symbol is used to indicate potential hazard:

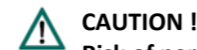
CAUTION !
Risk of equipment damage or personal injury

Always be aware of the fact that your actions may have an impact on safety and/or product performance. Carefully follow instructions documented.

2. Instructions for use

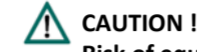
CAUTION !
Risk of fire, explosion and/or electric shock

- To prevent overheating, NEVER block ventilation.
- NEVER smoke near the WP-ACP or allow flames or sparks in vicinity of batteries.
- Avoid inflammable goods near the WP-ACP.
- Make sure all cables meet specifications and are connected properly.
- Avoid sparks and/or short circuit; do not place metal tools on top of the batteries.
- Short circuit current may cause severe heat. Take off all personal metal / bullion rings, watches, bracelets etc. when working with batteries, as high temperatures may cause metal to melt.



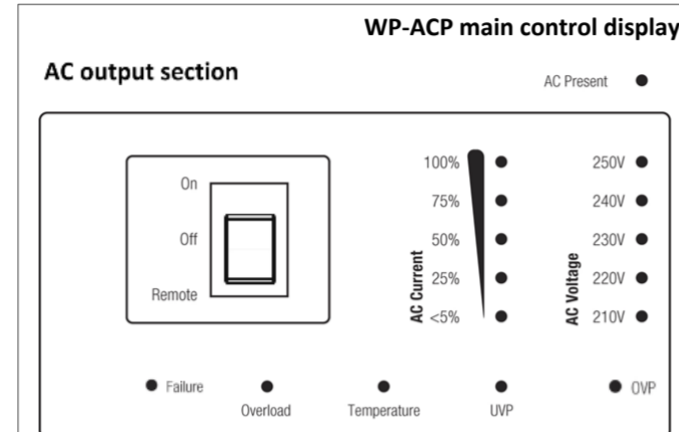
CAUTION !
Risk of personal injury

- Follow the safety guidelines, as prescribed by the battery manufacturer, when working with batteries.
Rinse with extensive water in case battery acid would come in contact with your eyes or skin and seek medical attention.



CAUTION !
Risk of equipment damage

- Never disconnect any part of the wiring while the unit is in operation !



Use the main switch at the bottom left of the WP-ACP main control display to switch the system to 'On', 'Off' or 'Remote'.

As soon as the switch is set to 'On', the 'AC present' LED on top will illuminate and the inverter system will start supplying AC current.

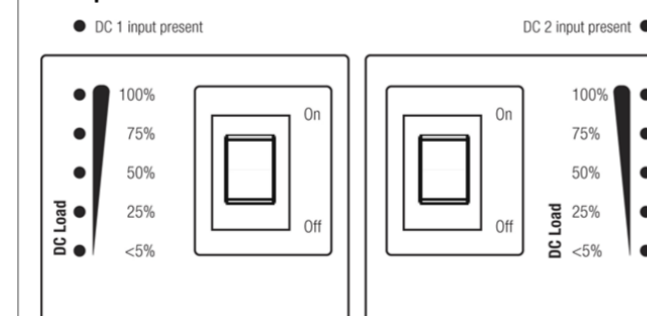
When switched 'Off', the system is shut down and AC current supply is stopped. Remark: don't forget to disconnect the batteries !
Choose 'Remote' if you wish to operate the WP-ACP with the WP-RCP remote control panel.

Use the AC current and voltage output status bars (next to the main switch) to monitor the WP-ACP output. The LEDs will indicate the AC output voltage (right), as well as the AC current load (left).



Five additional LED indicators at the bottom will illuminate in case of any error or exceptional condition occurring. If so, switch off the system first of all. The illuminated LED(s) will provide an indication of the nature of the problem. Use this information, together with the troubleshooting table in section 3, to trace and solve the problem.

DC input section



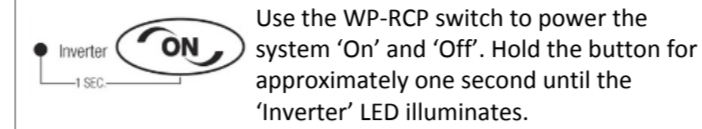
The top of the WP-ACP main display shows two DC battery monitoring sections; one for each battery bank. The two LEDs on top show whether one or both AC battery banks are operative. Note: as a result of redundancy design, the WP-ACP will still be able to produce AC current when only one battery bank supplies DC current.

Use the switches to switch off DC supply from a battery bank – if needed –.

The status bars demonstrate the load of the battery banks.

WP-RCP remote control panel
By setting the main switch on the main display to 'Remote', the WP-RCP becomes active.

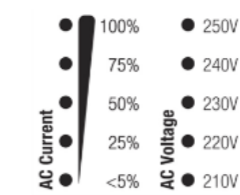
Switch



Use the WP-RCP switch to power the system 'On' and 'Off'. Hold the button for approximately one second until the 'Inverter' LED illuminates.

If pressed again (for one second), the system will be switched off, as visualised by the 'Inverter' LED.

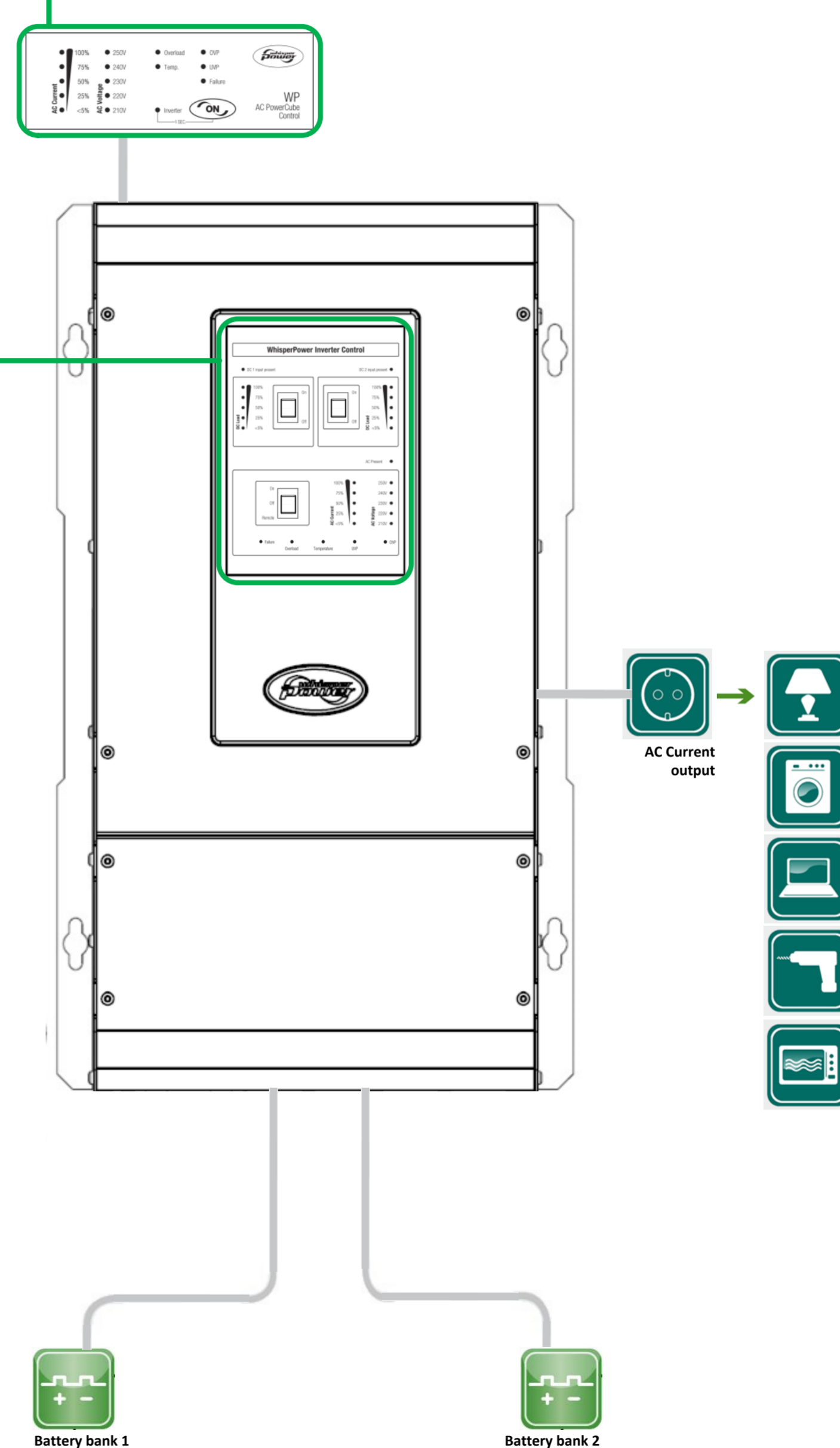
AC output monitoring



Similar to the main display, the WP-RCP contains the AC current and voltage output status bars for AC output voltage (right) and AC current load (left) monitoring.

Error detection

- Overload
 - OVP
 - Temp.
 - UVP
 - Failure
- In case of an error occurring, these LED indicators will help trace the cause of situation and solve the problem.



3. Troubleshooting

As described in section 2, the main display and remote control contain LED indicators which will illuminate in case of any exceptional situation or error occurring. If one or the alert LEDs is illuminated, this will give an indication of the source of the problem. The user is advised to switch off the system and try and correct the cause.

Note that the system will switch off by itself in case of any error situation remaining for more than a few seconds.

Problem	LED indicators information	Possible cause	Solution
No AC output	None of the main display LED indicators illuminated	Main switch set to 'Remote', but no remote panel installed Battery voltage too high	Set main switch to 'On' and/or install remote panel Check battery voltages and replace if necessary
'DC Load' LED bars are off; LED 'UVP' may be illuminated		DC fuse blown	Install new fuse
		No battery input	Check the batteries and charge if necessary; the WP-Sine will automatically restart when battery voltage reaches 22 V
		Battery too low	Charge the batteries; the WP-Sine will automatically restart when battery voltage reaches 22 V
		Cables too thin	Replace with cables of correct diameter
'Overload' LED is illuminated; 'Temperature' LED may also be lit LED 'Temperature' is lit		The WP-Sine has switched off due to too high AC demand	Reduce the load and allow WP-Sine to cool down
		Working temperature too high	Make sure ventilation is not obstructed anywhere and check the ventilator; if necessary, move the WP-Sine to a cooler location and/or reduce the load
WP-Sine switches on and off; ventilator is running at full speed	LED 'AC Present' on the main display and 'Inverter' on the remote are blinking; same goes for the 'UVP' LED	Battery too low	Charge the batteries; the WP-Sine will automatically restart when battery voltage reaches 22 V
		Cables too thin	Replace with cables of correct diameter
		Bad / corroded connections	Tighten the connections; check the cables and replace when burned
LED 'AC Present' on the main display and 'Inverter' on the remote are blinking five times per second; same goes for the 'Overload' LED		Too high AC demand	Reduce the load
		WP-Sine has been switched off ten times in a row as a result of an overload situation or a short circuit	Reduce the load and solve the short circuit situation; reset the WP-Sine manually by means of the On/Off switch

Disclaimer

WhisperPower can accept no responsibility for possible errors or omissions in catalogues, brochures and other printed material.

WhisperPower reserves the right to alter its products without notice.

This guide must be followed carefully. WhisperPower can accept no responsibility for errors related to incorrect or unsafe installation and/or handling.

4. Installation

CAUTION ! Risk of fire, explosion and/or equipment damage

- The WP-ACP has been designed for indoor use. Do not expose the system to dust, rain, snow or liquids of any type.
- NEVER obstruct ventilation airflow in any way. Keep a free space of 200mm around the system.
- Never place the unit directly above the batteries; corrosive gases emerging from batteries have a damaging impact.
- Check the battery identification labels prior to installation: be sure that the battery voltages match the input voltage of the DC/DC-converters.

Installation prerequisites

- Mount the WP-ACP – indoors – on a solid wall. Position the system as indicated below: vertically, with the connecting cables downwards.
- When the system is to be installed in a cabinet, make sure that the control panel remains accessible.
- Use DC battery cables of at least 70 mm².
- Always integrate a fuse when connecting the batteries.
- Protect the equipment to be supplied by the WP-ACP output by AC-fuse of 16Amps maximum.

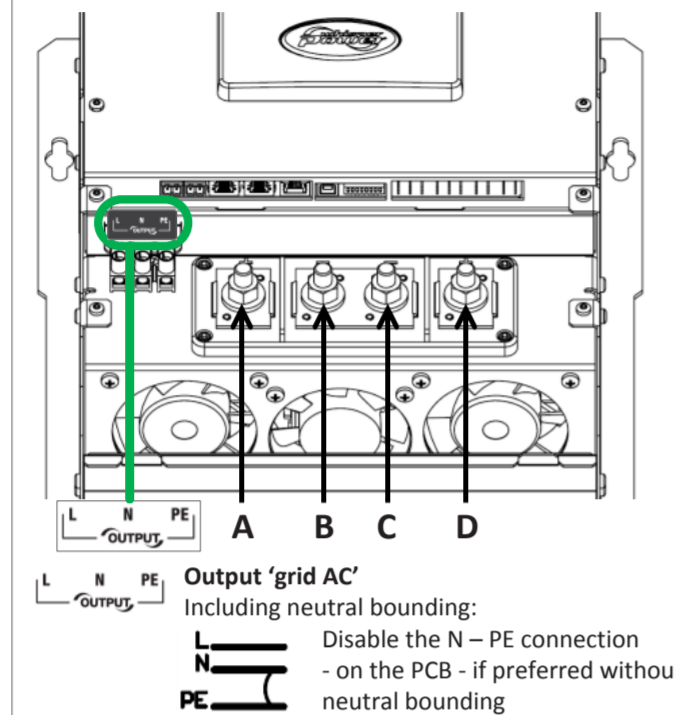
Materials

The WP-ACP system includes:

- WP-ACP AC PowerCube
- DC battery cables, pre-installed
- WP-RCP remote control panel

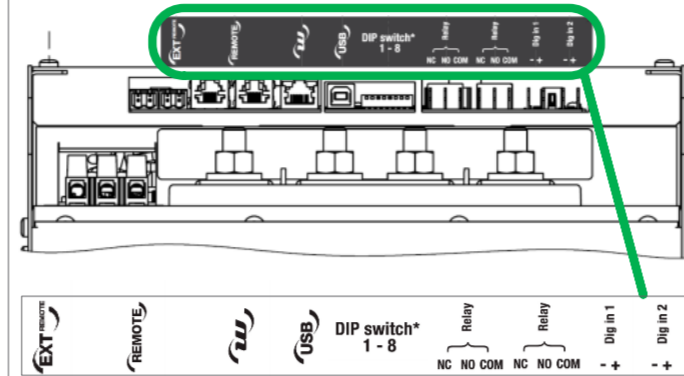
Step 2: Connecting input and output cables

The drawing below presents a tilted view of the WP-ACP connectors section which can be accessed when opening the hinged flap at the bottom. Connect cables for the AC output, as well as for the batteries, as documented. It is recommended to use cable of 70 mm² minimum for the batteries; use the cable glands at the bottom to guide the cables.



Step 3: Realise PCB ports connections

The picture below presents a detailed (bottom) view of the connectors section, showing the PCB print circuit board connectors:

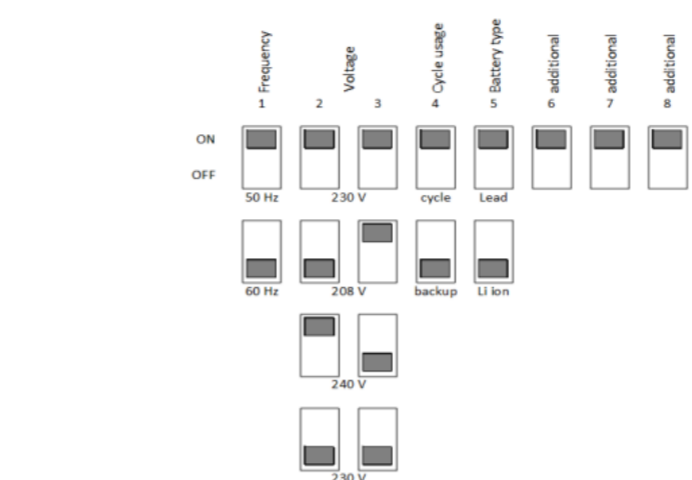


Explanation of the PCB ports and configuration:

- EXT** External command (Phoenix MSTBA2/4-G-5.08)
- REMOTE** WP-RCP remote control panel RJ12 port, to be connected by RJ12 cable to the WP-RCP remote control panel; connect one end of the cable to this PCB port and the other to the RJ12 port of the WP-RCP (please note the polarity)
- WhisperConnect CAN-Bus** RJ45 port for integration of multiple WhisperPower systems
- USB** USB Type 2 Use this port to set output parameters

DIP switch* 1 - 8

Refer to diagram below for an overview of the DIP switch parameters. DIP switch settings can also be programmed by the USB computer interface; in that case all parameters should be set to 'OFF'.



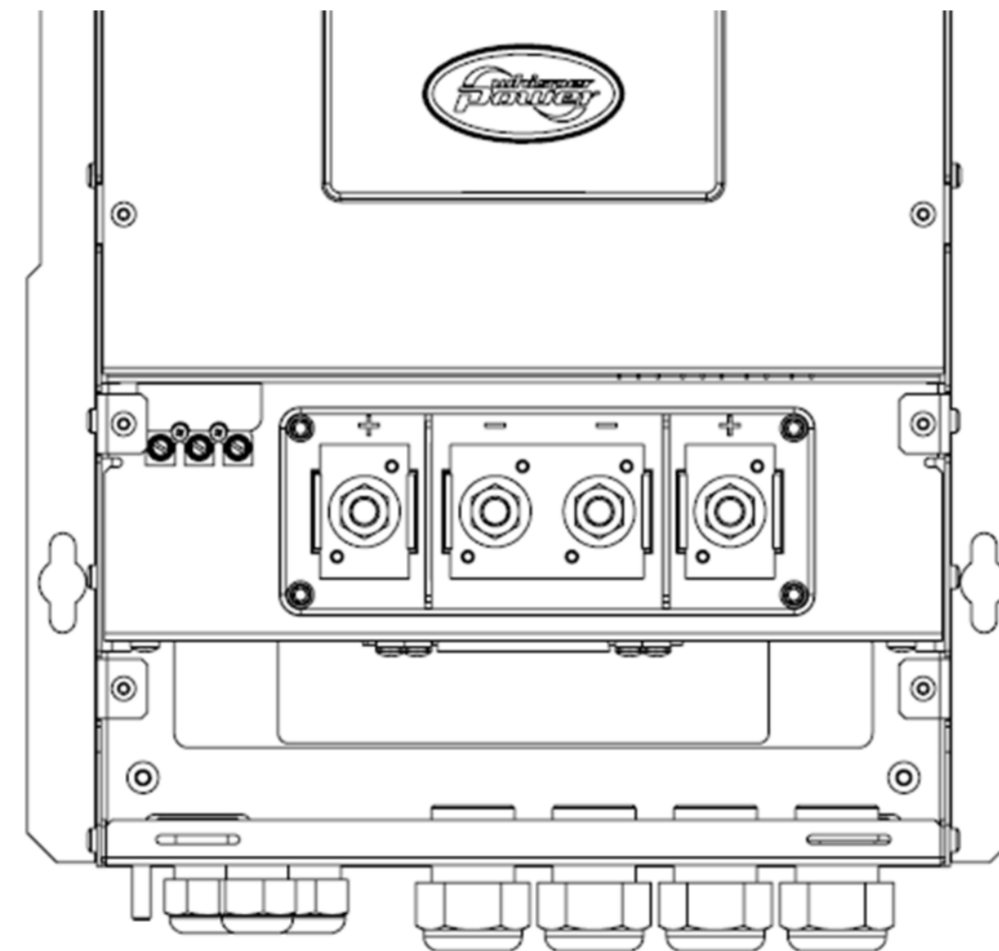
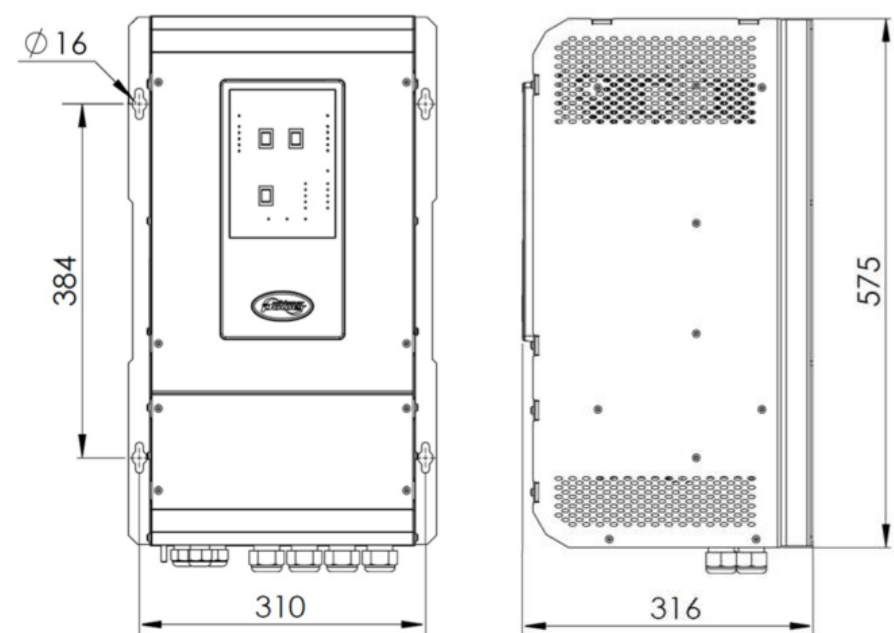
- Relay NC / NO / COM:** Returns system status → ON or OFF
- Relay NC / NO / COM:** Returns error status → No Error or Error NB: only applicable when status = ON
- Dig in 1** Connect this port to your computer interface to be able to use the interface instead of WP-RCP remote switch
- Dig in 2** Additional, not connected

5. Specifications

AC PowerCube 24/7000	
Article nr.	60203004
GENERAL	
Nominal output voltage	230 V (± 5 %), 1-phase, 3-wired
Nominal output frequency	50 Hz (± 0.01 Hz)
Nominal battery voltage	24V (2 inputs, common ground)
Minimum battery capacity	1 × 600Ah (summarised); 2 × 300Ah
Rated power P30 (cos φ = 1; 30 min. at 40°C / 104°F)	7000 W
Continuous power (cos φ = 1; 40°C / 104°F)	6000 W
Peak power (20 sec.)	15000 W
Output load	True Sine
Efficiency	> 85%
Peak efficiency	> 92%
Dimensions, w × h × d	334 × 316 × 575mm
Weight	18kg
Sound level (@1 meter distance)	48dBA
TECHNICAL SPECIFICATIONS	
Technology	Six-stage multi-phase flyback, switch mode
AC connection	Internal screw terminal connection (4 .. 6mm ²)
DC connection	4 × M10
Controls	Main switch (On / Off / Remote), DC source switches (On / Off), Remote panel switch (On / Off)
Indicators	AC present, DC 1 input present, DC (1) load, DC 2 input present, DC (2) load, AC current, AC voltage, Overload, Temperature, UVP, OVP, Failure
Protection	Short circuit, Overload, Overheating, Battery low / high
Low battery switch off	19V (± 0.5V)
Low battery switch on	22V (± 0.5V)
High battery switch off	32V (± 0.5V)
High battery switch on	30V (± 0.5V)
Maximum ripple on DC (battery)	5% RMS
Input current (nominal load)	2 × 200A
No-load power consumption (On mode)	< 550mA, 12W × 2
THD (Total harmonic distortion) voltage	< 5% (typical)
Allowable power factor	0 < cos φ < 1
CONDITIONS	
Ambient working temperature	-20°C .. 40°C / -4°F .. 104°F
Storage temperature	-25°C .. 80°C / -13°F .. 176°F (derating above 40°C / 104°F)
Relative humidity	Max. 95%, non-condensing
Protection degree	IP23
Cooling	natural / forced
COMPLIANCE	
Directives	EMC 2004/108/EC, EMC 2004/104/EC (automotiv), LVD 2006/95/EC
Standards	EN 55022 (emission), EN 61000-3-2 (harmonics), EN 61000-3-3, EN 61000-4-11 (voltage fluctuations), EN 61000-6-2 (immunity), EN 60950-1 (safety), EN 68-2-6 (vibration), EN 60945 (maritime navigation and radiocommunication), UL 458 (power converters / inverters)

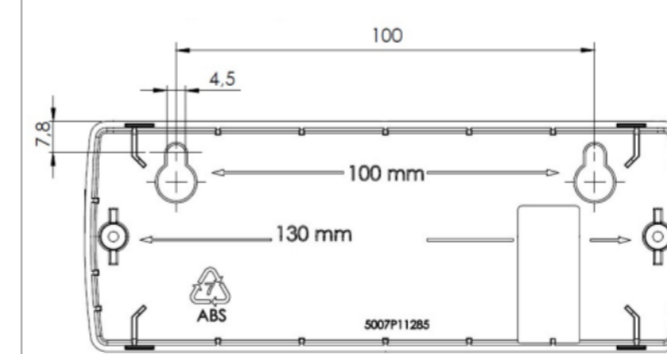
Step 1: Positioning the WP-ACP housing

Determine the housing mounting points; dimensions are presented in drawings below. Use screws / bolts of Ø 6mm. Start by driving the screw tips into the wall, but do not tighten completely. Then place the WP-ACP housing over the screws and fix by fastening the screws securely.

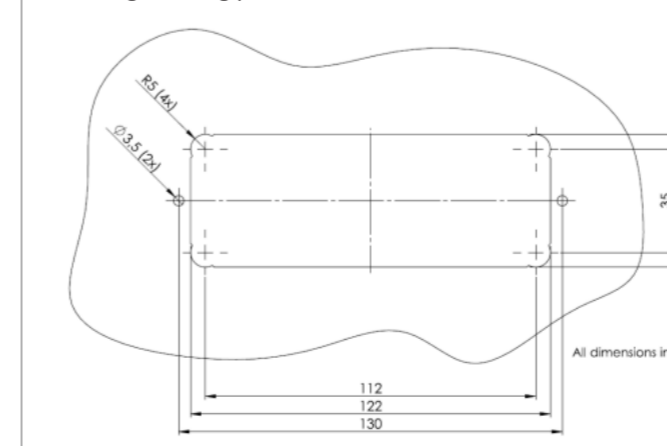


Step 4: Connecting and positioning WP-RCP remote control

The WP-RCP can either be mounted on the surface (frame, wall, dashboard) or it can be countersunk in your frame or dashboard. If the WP-RCP is to be mounted on top of the surface, the back cover can be used as a drill guide:



In case the WP-RCP is to be mounted in the dashboard: the following drawing presents cutout dimensions:



6. Warranty terms and conditions

WhisperPower guarantees that the equipment has been built according to the legally applicable standards and specifications. WhisperPower assures the product warranty of the WP-ACP AC PowerCube sine wave inverter during two years after purchase, on the condition that all instructions and warnings given in this manual are taken into account during installation and operation. The warranty is limited to the costs of repair and/or replacement of the product by WhisperPower only. Costs for installation labor or shipping of the defective parts are not covered by this warranty.

7. Conformity declaration

Issuer's name: WhisperPower BV
Issuer's address: Kelvinlaan 82, NL-9207 JB Drachten

Object of the declaration: AC PowerCube 24/7000 Sine wave inverter Model no. 60203006

The object of the declaration described above is in conformity with the requirements of the following Directives and standards, as applicable:
2004/108/EC (EMC Directive);
EN 55022:2010, EN 60945:2002, EN 61000-3-2:2006, EN 61000-3-3:2013, EN 61000-4-11:2004, EN 61000-6-2:2005;
2006/95/EC (Low Voltage Directive);
EN 60335-1:2012, EN 60335-2-29:2004, EN 60950-1:2006;
Standard conformity;
EN 60068-2-6:2008, UL 458.

Signed for and on behalf of:
WhisperPower BV

Drachten, March 13, 2014
R. ter Heide, C.E.O.