
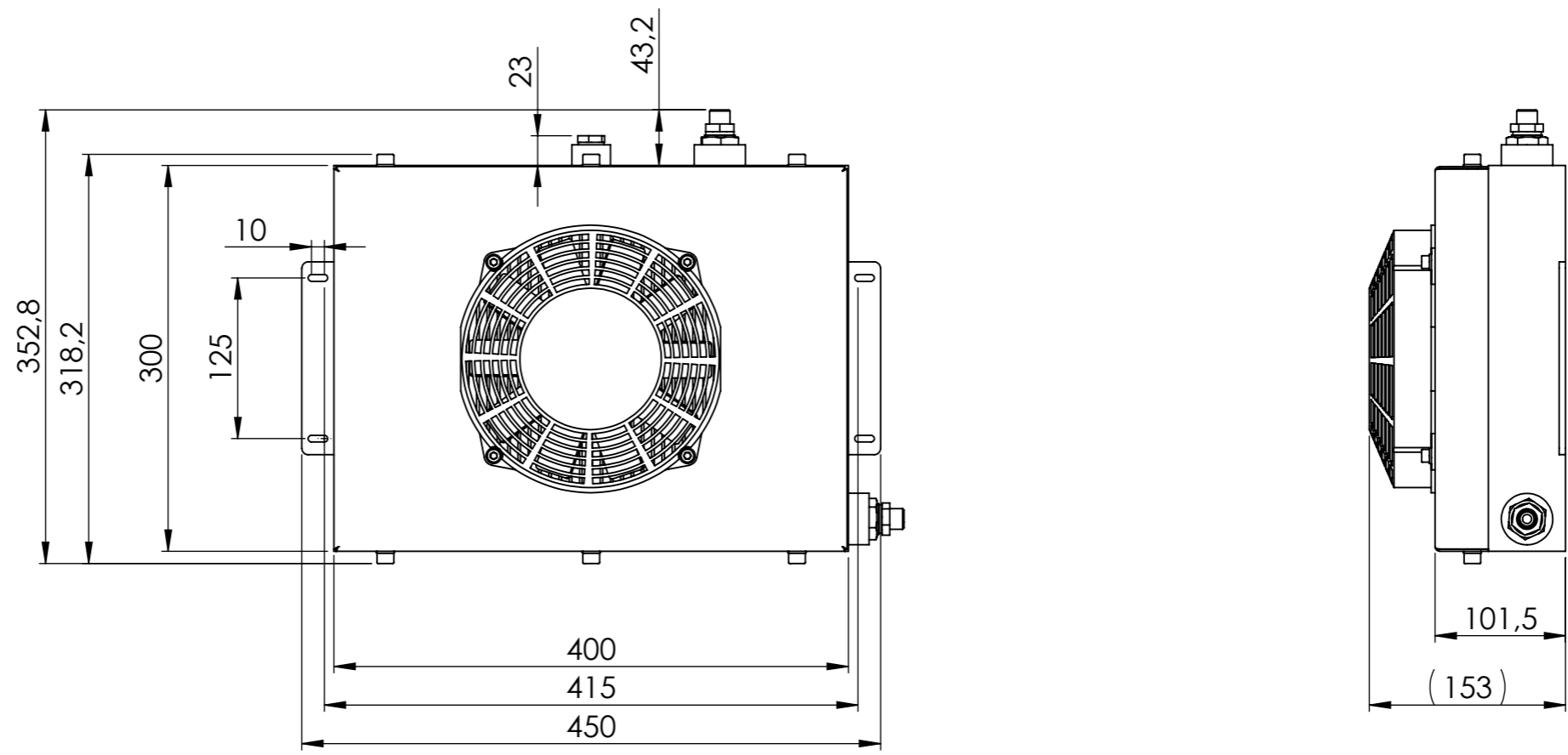


8 Loctite 577

13	6	Binnenzesk M8x18	50211231 Binnenzesk M8x18	50211231
12	6	WASHER SPRING SP M8	50211445 Veerring VZ M8	50211445
11	4	Hexagon Socket Head Screw ZP 8.8 M6X16	50211226	50211226
10	4	ONDERLEGRING VZ M6	50211404 ONDERLEGRING VZ M6	50211404
9	2	Sealring sensor M16	7021P173526	50211426
8	2	Verloopping 3-4 3-8	50221105 Verloopping 3-4 3-8	50221105
7	2	Nipple straight GE 10L 3/8" NPT	50221693 Nippel warmfewisselaar SC35-GPX	50221693
6	1	Cable l=3000mm fan oil cooler kit GV4	1003A163498	40401013
5	2	Hose teflon with braid L=3000	1003A163493	NOT_REQUIRED
3	1	Fan DC Spal VA14-AP7/C-34A 12V	ventilator DC	50230338
2	1	Air tunnel WUXI 62039	7504P195206	50230346
1	1	RADIATOR ELEMENT 300x400	50230380	50230380

ITEM NO.	QTY.	DESCRIPTION	DRAWING	ARTICLE No.										
UNLESS OTHERWISE SPECIFIED: CHAMFER SHARP EDGES GENERAL TOLERANCE NEN ISO 2768-m FORM AND PLACE TOLERANCES NEN-ISO 1101 WELDING SYMBOL NEN EN 22553 ROUGHNESS ACC. to NEN3634		TOLERANCE PRINCIPLE ISO 8015	DO NOT SCALE DRAWING											
PROJECTION : THIRD ANGLE UNITS : mm		FINISH: -	SHEET FORMAT: <b>A3</b>											
<table border="1"> <tr> <th>NAME</th> <th>SIGNATURE</th> <th>DATE</th> <th>STATUS:</th> </tr> <tr> <td>DRAWN</td> <td>H.W.</td> <td>03/12/2019</td> <td rowspan="2">Released</td> </tr> <tr> <td>CHK'D</td> <td>J.K.</td> <td>03/12/2019</td> </tr> </table>		NAME	SIGNATURE	DATE	STATUS:	DRAWN	H.W.	03/12/2019	Released	CHK'D	J.K.	03/12/2019	Material:	TITLE: <b>WP1 Radiator Oil Cooler KIT large</b>
NAME	SIGNATURE	DATE	STATUS:											
DRAWN	H.W.	03/12/2019	Released											
CHK'D	J.K.	03/12/2019												
DRAWING: 7504A195285		ARTICLE NO. <b>40201318</b>	REVISION											
PRINTED		11/12/2019	Weight: 13555.20 gram	SCALE:1:5 SHEET 1 OF 2										



UNLESS OTHERWISE SPECIFIED: CHAMFER SHARP EDGES GENERAL TOLERANCE NEN ISO 2768-m FORM AND PLACE TOLERANCES NEN-ISO 1101 WELDING SYMBOL NEN EN 22553 ROUGHNESS ACC. to NEN3634				TOLERANCE PRINCIPLE ISO 8015		FINISH: -		DO NOT SCALE DRAWING		
				PROJECTION : THIRD ANGLE UNITS : mm		Material:		SHEET FORMAT: <b>A3</b>		
						Released		TITLE: <b>WP1 Radiator Oil Cooler KIT large</b>		
DRAWN H.W.		SIGNATURE		DATE 03/12/2019						
CHK'D J.K.				03/12/2019		Weight: 13555.20 gram		SCALE:1:5		SHEET 2 OF 2
PRINTED				11/12/2019						